

RIGGERS DOLLIES ARE AN EXCELLENT "ALL AROUND" PIECE OF EQUIPMENT, A "MUST HAVE" FOR EVERY RIGGER OR MACHINERY MOVER.

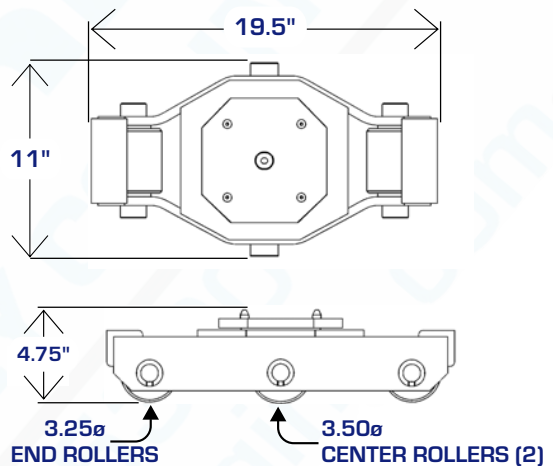
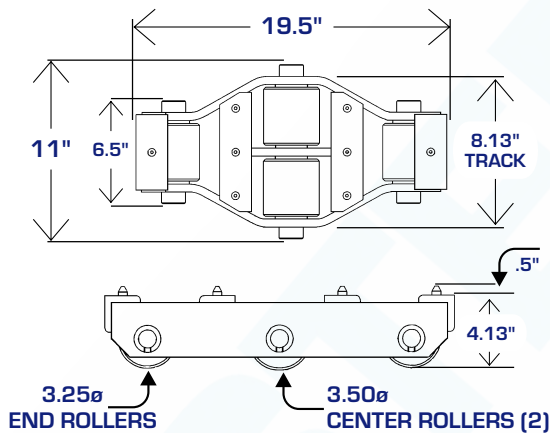
RDT-30
(steel rollers)



RDTS-30
(swivel / poly rollers)



RDTS-30-H



Features & Benefits

- Low profile
- Heavy duty
- Fully welded steel frame
- All purpose moving
- Maximum durability
- Extended resting loads
- Good for rough/uneven floors
- Optional swivel tops, removable with a standard hex key

Dollies are available with steel or poly rollers. Poly rollers are only recommended for moving on floors that require protection. Riggers dollies can also be customized for any special application. The heavy duty welded frame makes them the most durable and long lasting of it's kind. The high-carbon steel axles run the entire length of each roller for easy operation.

Model# RDT-30 / Non Swivel

	Capacity Tons	Length in.	Width in.	Height in.	Weight lbs.
Steel Rollers	15	19-1/2"	11"	4.13"	70
Poly Rollers	10	19-1/2"	11"	4.13"	56

Model# RDTS-30 / Swivel

	Capacity Tons	Length in.	Width in.	Height in.	Weight lbs.
Steel Rollers	15	19-1/2"	11"	4.75"	78
Poly Rollers	10	19-1/2"	11"	4.75"	64

Optional:
RDTS-30-H (below)
with steering handle connector

