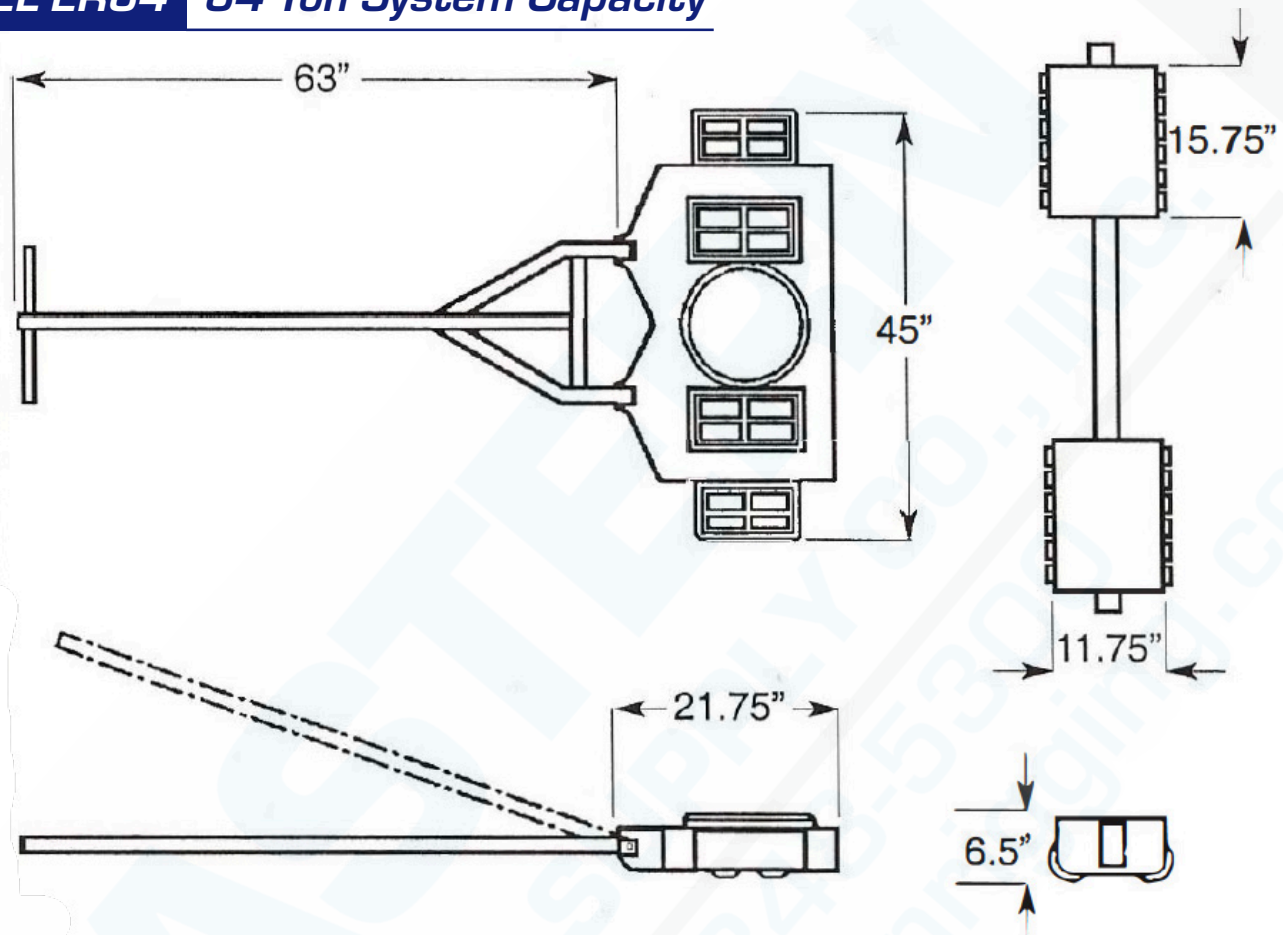


*With non-marking synthetic wheels
for the ultimate in floor protection*

MODEL ER84 84 Ton System Capacity



ER84 Specifications & Dimensions

STEERING DOLLY

Maximum Capacity (lbs)	84,000
Height (in)	6.5"
Swivel Diameter (in)	12.75"
Weight (assembled)	330 lbs
Number Of Wheels	24

REAR DOLLIES

Maximum Capacity (lbs)	42,000
Height (in)	6.5"
Top Size (in)	15.75" x 11.75"
Weight (ea)	95 lbs
Number Of Wheels ea.	12



Steering Handle Length	64"
Weight	31 lbs.
Alignment Bar Length	64"
Weight	20 lbs.
Total System Weight	585 lbs.